



YESIR

end-to-end HVAC&R Solution Partner





YESIR

end-to-end HVAC&R Solution Partner

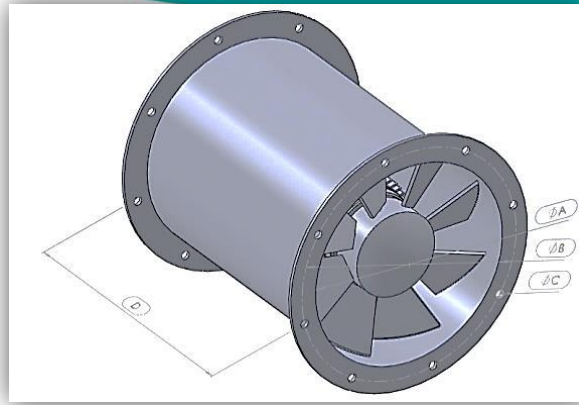
AXIAL FANS





YESIR

end-to-end HVAC&R Solution Partner



NO	TYPE	DIMENSION			
		A	B	C	D
1	AX-250	250 mm	300 mm	8 x 10 mm	300 mm
2	AX-280	280 mm	332 mm	8 x 10 mm	350 mm
3	AX-315	315 mm	366 mm	8 x 10 mm	400 mm
4	AX-355	355 mm	405 mm	8 x 10 mm	450 mm
5	AX-400	400 mm	448 mm	8 x 12 mm	500 mm
6	AX-450	450 mm	497 mm	8 x 12 mm	600 mm
7	AX-500	500 mm	551mm	12 x 12 mm	600 mm
8	AX-560	560 mm	629 mm	12 x 12 mm	600 mm
9	AX-630	630 mm	698 mm	12 x 12 mm	700 mm
10	AX-710	710 mm	775 mm	12 x 12 mm	900 mm
11	AX-800	800 mm	861 mm	16 x 12 mm	900 mm
12	AX-900	900 mm	958 mm	16 x 16 mm	900 mm
13	AX-1000	1000 mm	1067 mm	16 x 16 mm	1150 mm
14	AX-1120	1120 mm	1200 mm	20 x 16 mm	1150 mm
15	AX-1250	1250 mm	1337 mm	20 x 16 mm	1350 mm

The airflow rate and required external pressures are calculated according to vessel general arrangement. Suitable axial fans are estimated according to design. Axial fans are used for air supply or exhaust indoor environment in the vessels. Fan case is made from C-Steel. Electrostatic painted or hot-dip galvanized. The fan flanges are manufactured by bending the body so they are self-flanged. Aerodynamic fan blades are made of Aluminum. Protection class is IP55. Please contact us for more details. rfq@yesir.com.tr



YESIR

end-to-end HVAC&R Solution Partner

INSTALLATION ACCESSORIES



FLEXIBLE CONNECTIONS



PROTECTION GRILLE



INSTALLATION SUPPORT